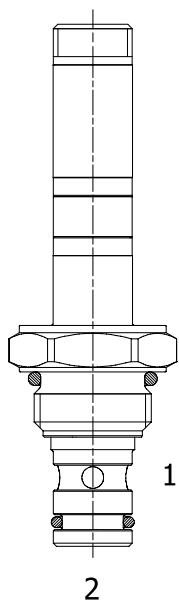


PB-S2I DIRECT ACTING POPPET, 2 WAY NORMALLY CLOSED



DESCRIPTION

8 size, 3/4-16 thread, "Power" series, solenoid operated, 2 way normally closed, bidirectional poppet valve.

OPERATION

When de-energized the PB-S2I blocks flow from (1) to (2) and from (2) to (1). When energized the valve allows flow from (1) to (2) and from (2) to (1).

PUSH TYPE MANUAL OVERRIDE OPTION: to override, push the manual override button.

SCREW TYPE MANUAL OVERRIDE OPTION: to override, turn clockwise the manual override screw. To release, turn the manual override screw counterclockwise.

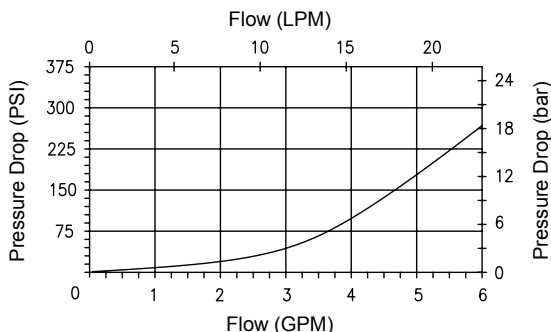
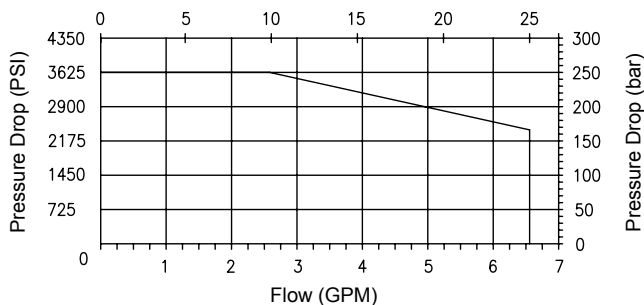
FEATURES

- Hardened parts for long life.
- Efficient wet-armature construction.
- Cartridges are voltage interchangeable.
- Industry common cavity.
- Unitized, molded coil design.
- Continuous duty rated solenoid.
- Optional coil voltages and terminations.
- 720 hours salt spray protection.

PERFORMANCE

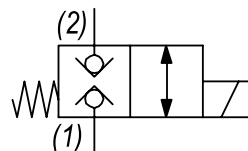
Actual Test Data (Cartridge Only)

De-Rating of Pressure vs. Flow (LPM)



— Port 1 to 2 (eng) & Port 2 to 1 (eng)

HYDRAULIC SYMBOL



VALVE SPECIFICATIONS

Nominal Flow	4 GPM (15 LPM)
Rated Operating Pressure	3600 PSI (250 bar)
Typical Internal Leakage (150 SSU)	0-5 drops/min at 3600 PSI (250 bar)
Viscosity Range	36 to 3000 SSU (3 to 647 cSt)
Filtration	ISO 18/16/13
Media Operating Temp. Range	-40° to 210°F (-40° to 100°C)
	BUNA seals
	-4° to 250°F (-20° to 120°C)
	VITON seals
Weight	.29 lbs (.13 kg)
Operating Fluid Media	General Purpose Hydraulic Fluid
Cartridge Torque Requirements	30-35 ft-lbs (41-47 Nm)
Coil Nut Torque Requirements	3-4.5 ft-lbs (4-6 Nm)
Cavity	POWER 2W
Cavity Tools Kit	40500005
Seal Kit	21191100

WARNING: the specifications/application data shown in our catalogs and data sheets are intended only as a general guide for the product described (herein). Any specific application should not be undertaken without independent study, evaluation, and testing for suitability.

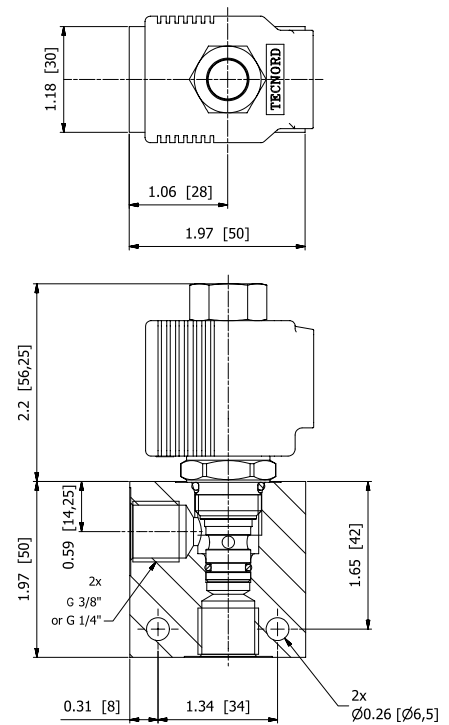
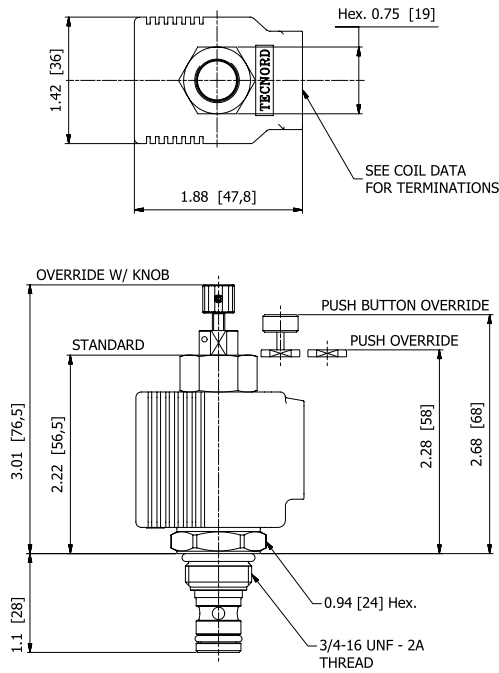


4484 Boeing Drive Rockford, IL 61109 • USA • Phone +1 (815) 397-6628 • Fax +1 (815) 397-2526
 mail: delta@delta-power.com • www.delta-power.com



Via Malavolti, 36 • 41122 Modena • ITALY • Phone +39 (059) 254895 • Fax +39 (059) 253512
 mail: tecnord@tecnord.com • www.tecnord.com

DIMENSIONS



ORDERING INFORMATION

Approximate Coil Weight: .42 lbs (.19 kg)

PB-S2I

OPTIONS

- Buna Standard **00**
- Viton Standard **V0**
- Buna, Push Pin, Override **0P**
- Viton, Push Pin, Override **VP**
- Buna, Push Button, Override **0B**
- Viton, Push Button, Override **VB**
- Buna, Screw, Override **0K**
- Viton, Screw, Override **VK**

BODIES

- Blank Without Body
- N** 1/4" BSP Ports (aluminum)
- N1** 3/8" BSP Ports (aluminum)
- S** #6 SAE Ports
- H** 1/4" BSP Ports (steel)
- H1** 3/8" BSP Ports (steel)

Note: Aluminum bodies only for use up to 250 bar

VOLTAGE (other voltages available on request)

- 12** 12 VDC
- 24** 24 VDC
- 26** 26 VDC

"P" TYPE "J" COIL TERMINATION

- JA** "J" Coil AMP Superseal - Integral
- JD** "J" Coil Deutsch - Integral DT04-2P

JJ "J" Coil AMP Jr. Time - Integral

- JL** "J" Coil Double Lead
- JH** "J" Coil DIN 43650 (Hirschmann)

W 40 / 2017

WARNING: the specifications/application data shown in our catalogs and data sheets are intended only as a general guide for the product described (herein). Any specific application should not be undertaken without independent study, evaluation, and testing for suitability.



4484 Boeing Drive Rockford, IL 61109 • USA • Phone +1 (815) 397-6628 • Fax +1 (815) 397-2526
 mail: delta@delta-power.com • www.delta-power.com



Via Malavolti, 36 • 41122 Modena • ITALY • Phone +39 (059) 254895 • Fax +39 (059) 253512
 mail: tecnord@tecnord.com • www.tecnord.com